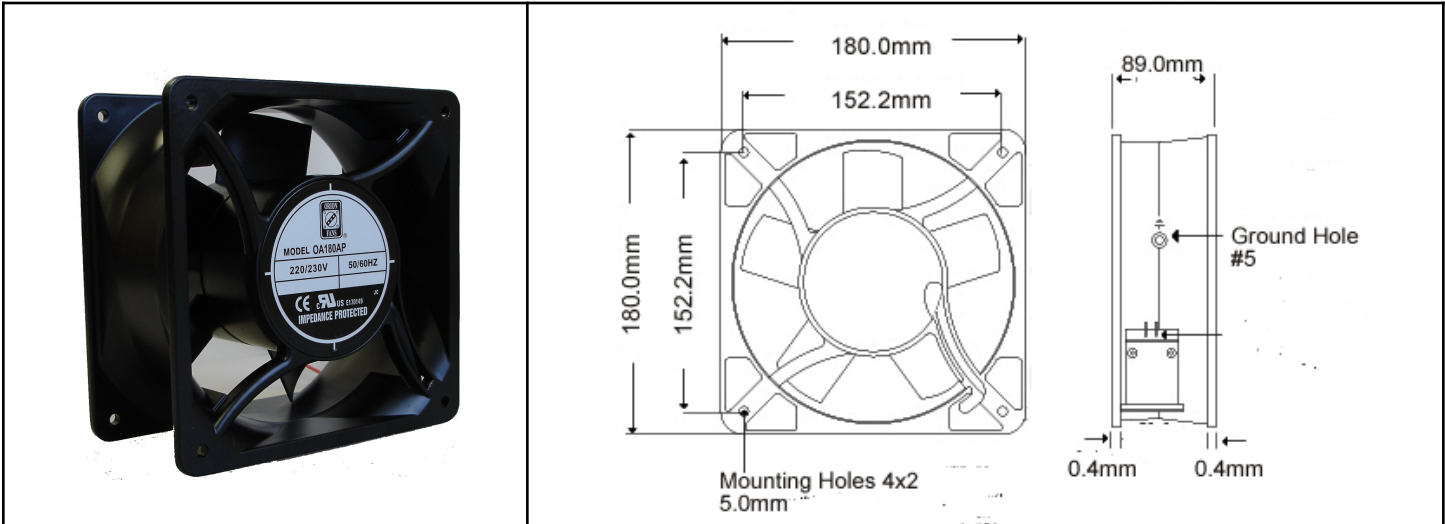


# OA180AP Series



AC Fan - 115V, 230V  
180 x 89mm (7.1" x 3.5")



Frame	Diecast Aluminum	<u>Operating Temperature</u> Ball Bearing -20C ~ +80C  <u>Life Expectancy</u> Ball Bearing 60,000 hours (L10 at 40C)	
Impeller	PBT, UL94V-O plastic		
Connection	2x Lead Wires 20 AWG or terminals		
Motor	Capacitor drive, impedance and thermally protected		
Bearing System	Dual ball		
Insulation Resistance	>100M ohm between lead-wire and frame (500VDC)		
Dielectric Strength	1 min at 1500 VAC, 50/60Hz		

Part Number	OA180AP-11-1 *	OA180AP-22-1 *
Nominal AC Voltage	115	230
Voltage Range	60 ~ 130 VAC	120 ~ 260 VAC
Rated Power	70 W	70 W
Rated Speed (RPM)	3200	3200
Airflow (CFM)	420	420
Noise Level (dB)	62	62
Max. Static Pressure	1.1 "H <sub>2</sub> O	1.1 "H <sub>2</sub> O

\* Indicate "TB" for terminal or "WB" for wire leads